



CASING END SEALS

When installing pipes for natural gas, oil, water etc., casing pipes are used where safety counts, that is for all kinds of underground installations under road crossings, highways and thoroughfares as well as in residential districts.

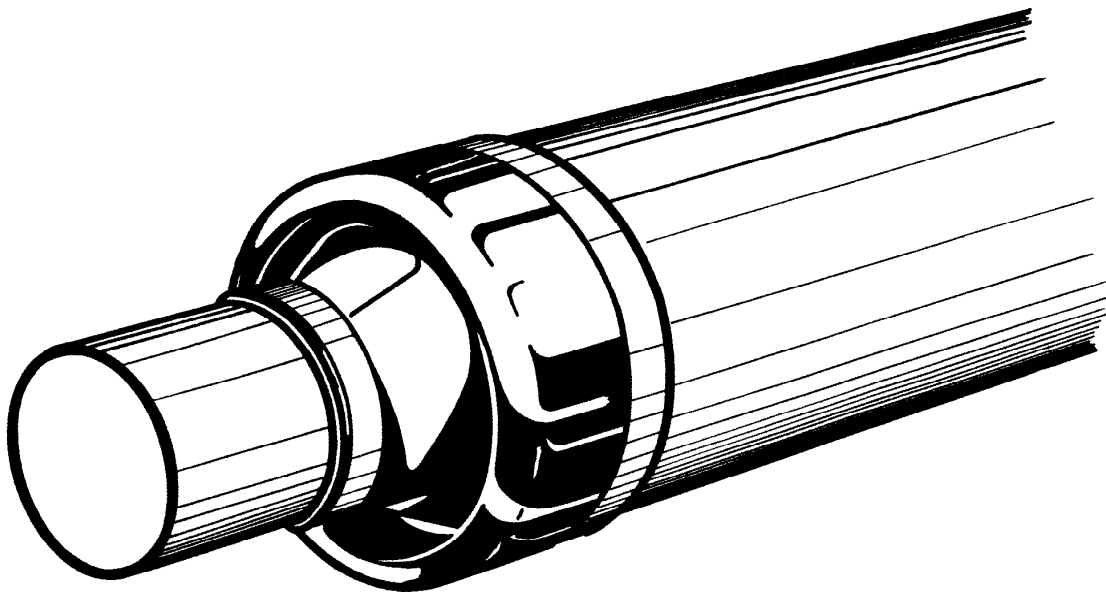
The problem in all these cases is to keep the interior of the casing as dry and clean as possible in order to protect the carrier pipe and the inside of the casing pipe against corrosion.

The various models of casing end seals have been designed to provide a clean, solid and cost-effective solution to this problem.

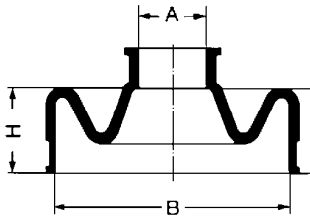
CASING END SEALS are easy and quick to install. The seals are pulled over the outer edge of both the carrier pipe and the casing pipe and sealed by stainless steel bands and clamps. Thus, the problem of sealing the annulus between casing pipe and carrier pipe has found its simple, clean and cost-saving solution.

All CASING END SEALS are made of materials that are highly resistant to aging and have excellent mechanical strength. We are constantly adding new types to our large range of CASING END SEALS. Should the types we offer not be suitable for your case of application, please do not hesitate to contact us. We will then make your special "problem" to a part of our development program.

For pressurized sealing we recommend COBALCH SEAL.



Sizing chart - standard for DU-casing end seal



Dimension inch	DN	Ø A min.	max.	OD	Ø B min.	max.	H	Dimension inch	DN	Ø A min.	max.	OD	Ø B min.	max.	H
½ x 1	25	24	27	35	34	38	60	6 x 16	160	152	182	406	385	447	67
½ x 1 ½	25	24	27	50	48	55	95	8 x 10	225	214	250	280	267	308	75
½ x 2 ½	25	24	27	80	77	88	95	8 x 12	200	190	222	315	300	346	66
½ x 3	25	24	27	89	86	97	110	8 x 14	230	218	253	355	338	390	65
½ x 4	25	24	27	112	108	123	110	8 x 16	225	214	250	410	390	457	73
½ x 5	25	24	27	139	134	152	120	8 x 18	225	214	250	462	439	513	60
1 x 1 ½	35	34	38	50	48	55	65	8 x 20	200	190	222	500	480	559	70
1 x 1 ¾	32	31	35	50	48	55	38	10 x 12	260	247	286	330	314	368	70
1 x 2	25	24	27	60	58	66	39	10 x 14	250	238	277	356	339	390	73
1 x 3	32	31	35	89	86	97	40	10 x 14	280	267	308	360	342	396	75
1 x 4	35	34	38	112	108	123	110	10 x 16	280	267	308	410	390	457	70
1 x 5	35	34	38	139	134	152	120	10 x 18	273	259	303	457	435	503	90
1 x 6	35	34	38	170	164	187	130	10 x 20	273	259	303	508	485	559	72
1 ¼ x 3	40	39	44	89	86	97	40	10 x 22	275	262	305	556	530	615	85
1 ¼ x 4	40	39	44	109	105	119	110	12 x 16	320	302	360	410	390	457	70
1 ¼ x 5	40	39	44	135	130	148	120	12 x 18	325	309	362	457	435	503	70
1 ¼ x 6	40	39	44	160	154	176	130	12 x 20	324	308	362	508	485	559	70
1 ½ x 2 ½	50	48	55	80	77	88	60	12 x 22	315	300	346	556	530	615	93
1 ½ x 4	50	48	55	112	108	123	110	14 x 18	360	342	396	457	435	503	70
1 ½ x 5	50	48	55	139	134	152	120	14 x 20	360	342	396	508	485	559	75
1 ½ x 6	50	48	55	160	154	176	130	14 x 22	355	338	390	558	532	615	63
1 ¾ x 2	50	48	55	63	61	69	41	16 x 20	406	385	447	508	485	559	80
1 ¾ x 3	50	48	55	90	87	99	43	16 x 22	410	390	457	558	532	615	80
1 ¾ x 4	50	48	55	110	105	121	43	16 x 24	400	390	457	609	585	676	85
2 x 4	60	57	68	110	105	127	90	18 x 22	450	428	495	558	532	615	63
2 x 6	60	57	68	160	152	182	80	18 x 24	450	428	495	610	580	671	90
2,5 x 6	75	71	83	160	152	182	70	20 x 24	508	485	559	610	580	671	70
3 x 5	89	85	98	133	125	146	70	20 x 26	508	485	559	660	627	726	65
3 x 6	92	86	106	165	156	182	70	20 x 28	500	480	559	710	675	781	90
3 x 8	92	86	106	225	214	250	75	22 x 26	558	532	615	660	627	726	90
3 x 10	92	86	106	275	262	305	70	22 x 32	555	530	615	810	770	891	80
3 x 12	88	82	98	315	300	346	75	24 x 28	610	580	675	710	675	781	65
4 x 5	116	112	133	140	133	154	75	24 x 30	615	585	676	760	725	842	90
4 x 6	110	105	121	160	152	182	70	24 x 32	600	585	676	812	775	895	85
4 x 8	112	108	125	225	214	250	70	26 x 30	668	635	735	760	725	842	75
4 x 10	112	108	125	275	262	305	60	26 x 32	660	627	726	813	773	894	157
4 x 11	110	10	121	290	273	304	80	28 x 32	710	675	782	810	770	891	80
4 x 12	108	101	120	315	300	346	65	30 x 34	760	725	842	862	819	948	90
4 x 14	110	105	121	346	329	380	80	30 x 36	765	730	842	915	870	1016	150
5 x 8	134	127	147	219	210	245	73	30 x 38	762	727	842	965	914	1062	90
5 x 10	145	137	163	275	262	305	80	32 x 38	813	773	894	965	914	1062	157
5 x 12	130	125	144	315	300	346	70	32 x 40	825	784	914	1018	968	1118	160
6 x 8	160	152	182	219	210	245	70	34 x 38	860	820	946	960	914	1056	90
6 x 10	162	156	184	275	262	305	72	34 x 40	863	825	850	1018	965	1118	160
6 x 12	162	156	184	330	315	368	65	36 x 42	914	870	1005	1066	1013	1173	160
6 x 14	168	159	190	355	338	390	70								

When the material has large elasticity, it can be allowed that the pipe is up to 10% larger than the casing end seal.

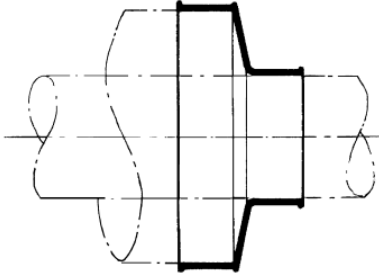
All other dimensions than the ones above will be supplied as type KG / KO.

By ordering please note:

1. Carrier OD
2. Casing OD and ID
3. Position of carrier pipe related to casing
4. Skid high of insulator

1.5.3.2

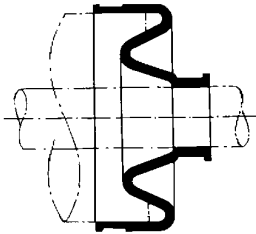
**Casing end seals
type HA, DU and KG**



Type HA

HA-casing end seal are made for use on small pipe installations for house connection.

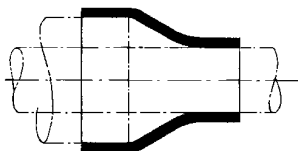
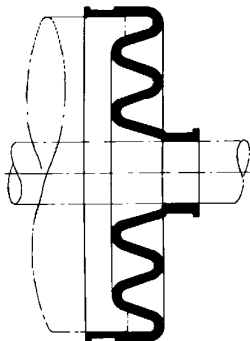
Made of EPDM.



Type DU

DU-casing end seal are only used for new installations. Their special folded design compensates for the eccentric position of the pipes related to each other. Special types for eccentricity of > 80 mm are available. The dimension range is continuously expanded. For sizes not in the dimensiontable - use KG-casing end seal.

Made of EPDM.

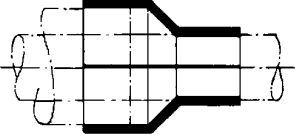


Type KG

KG-casing end seal are only used for new installations. This type is available in all dimensions. The conical design compensates the eccentric position of the pipes - related to each other.

Made of NEOPRENE (CR-Polykloroprene).

**Casing end seals
type KO, STM (pat.) and ST (pat.)**

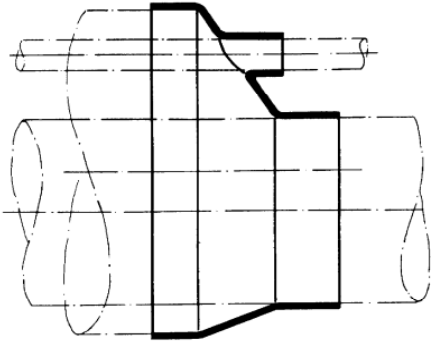


Type KO

KO-casing end seal consists of two parts and is suitable for retrofitting already installed pipelines.

The casing end seal is secured in place by means of a bonding agent (cold vulcanizing). The bonding agent is included in the price.

Material and design as type KG.



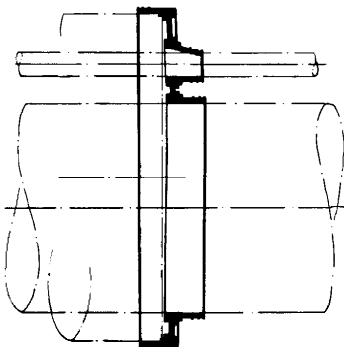
Type STM (pat.)

STM-casing end seal is seamless and is especially manufactured to meet your requirement.

The casing end seal has the special advantage of being able to bridge extreme eccentricities.

Several openings can be provided for cable ducts ect., only made to order.

Made of Rottolin (soft PVC).



Type ST (pat.)

ST-casing end seal is also manufactured for extreme eccentricities but with built in front plate for extreme dimensions.

Used where STM is no longer available.

Made of EPDM.

CASING END SEAL TYPE KT



**Casing end seal
type KT**

The casing end seal type KT are used as DU, KO, KG and STM to prevent moisture and soil into the annular space between carrier pipe and casing sleeves.

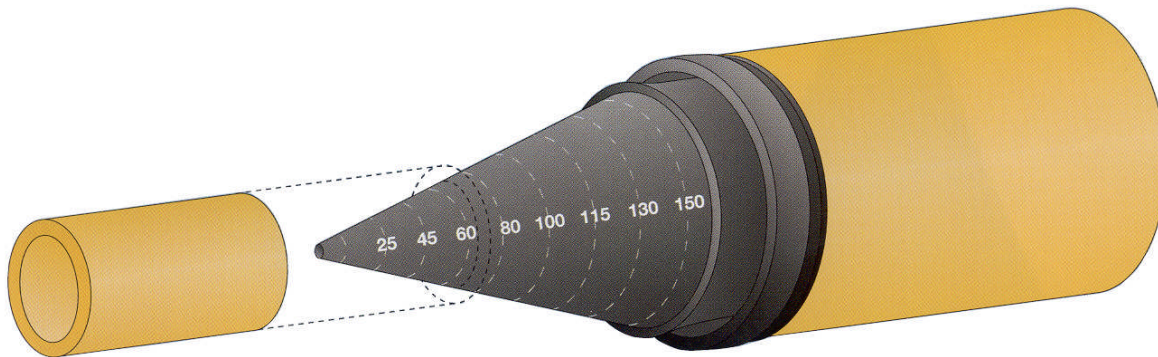
Characteristic:

- low storage costs, because there are only 5 sizes of casing end seals from DN 100 to DN 600
- 3-4 mm thick high-quality EPDM-rubber
- different sizes are printed on the casing end seal to simplify the cutting of the right size
- straps for clamping applicable for all diameters

Tip for mounting:

To fit the casing end seals on the carrier pipe you simply cut the seals at the closed end and just less than the external diameter of the carrier pipe. Please note the printed sizes on the casing end seals! Push the casing end seal over the outside of the casing pipe and the carrier pipe and fasten it with the included steel straps.

Because of the flexibility of the material the casing end seals are suitable for casing pipes up to 10% bigger diameters and as a consequence of the cone shape they are suitable for every diameter of carrier pipes.



Nominal width DN	mm	Item no.
KT 100/125-0	110/135-10	211-3601
KT 150/200-0	165/215-10	211-3602
KT 250/300-50	270/320-50	211-3603
KT 350/400-80	350/402-80	211-3604
KT 500/600-150	508/610-150	211-3605

Technical modifications reserved

10-05-211

1.5.3.6